



# HT23 RTJ

## Outstanding performance

- 22.5 m working height
- 18.3 m maximum outreach
- 230/450kg dual load capacity

## Optimal productivity

- Best lifting speed 56 sec
- Fully proportional and simultaneous movements
- 4 wheel drive
- 4 wheel steer

## Best comfort and safety feeling

- Rigid boom
- Single control for both steering axles

## Optimized maintenance time

- Easy access to all components
- Easy boom maintenance
- New fully modular basket



**Haulotte**   
GROUP

More than lifting

[www.haulotte.com.au](http://www.haulotte.com.au)



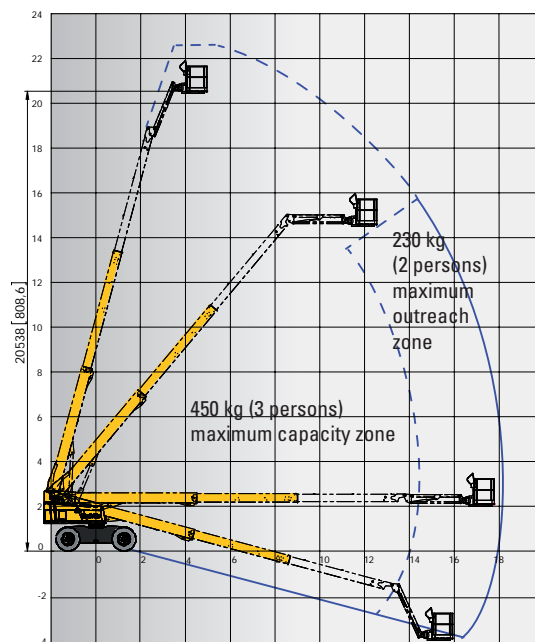
# HT23 RTJ

## ROUGH TERRAIN TELESCOPIC BOOMS

### TECHNICAL DATA

### HT23 RTJ 4WS

Working height	22.5 m
Platform height	20.5 m
Horizontal outreach	18.3 m
Lift capacity	230 kg / 450 kg
<b>F</b> x <b>G</b> Platform size	2.44 x 0.91 m
<b>A</b> Length - stowed	10.4 m
<b>H</b> Length - transport	7.8 m
<b>B</b> Width	2.47 m
<b>C</b> Height - stowed	2.7 m
<b>I</b> Height - transport	3.3 m
Vertical jib range	133° (+68/-65)
Platform rotation	180° (+90/-90)
Boom range	90° (+75/-15)
Turntable rotation	360° continuous
<b>D</b> Wheelbase	2.5 m
<b>E</b> Ground clearance	34 cm
Max slope	5°
Drive speed	0.5 - 6.5 km/h
Gradeability	40 %
Turning radius - outside	3,4 m
Tires - foam-filled	385/65 - 22.5
Engine	Kubota 36.5 kW - 48.9 h
Weight	13400 kg

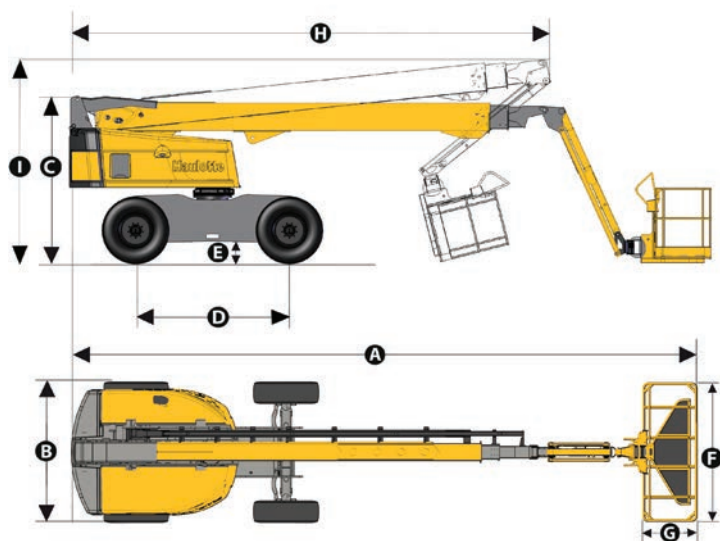


### STANDARD EQUIPMENT

- 4 wheel drive and steer
- Dual load capacity 230 / 450 kg (2 / 3 persons)
- Automatic differential lock increase rough terrain capacity
- Oscillating axles increase stability on uneven ground
- Proportional controls enhance comfort and safety
- 4 simultaneous movements for maximum productivity
- Maximum wind speed 45 km/h
- Swing door entry gate
- Upper control box cover
- Tool tray
- On-board generator
- Hour meter
- Low fuel level indicator (upper & lower control box)
- 12 V battery / electrical control system
- Rotating beacon
- Electric pump system and emergency descent
- Tilt alarm
- Load sensing alarm
- Descent and travel alarm
- Diagnostic display for fault and service alerts
- Large modular basket now easier and faster to repair
- Swing out engine tray for ease of maintenance
- Boom maintenance (extension system, upper pads replacement) without boom disassembly

### OPTIONS AND ACCESSORIES

- Narrow modular platform: 1.83 m x 0.91 m
- Power to platform (Female plug in the basket with or without circuit-breaker 30mA)
- Air line to platform 13 mm inner diameter
- Travel alarm
- Working lights
- Biodegradable hydraulic oil
- Cold weather package
- Warm environment package
- 60 km/h wind speed
- Mine Spec



Non contractual document - We reserve the right to modify the technical characteristics of this document without notice - 01/2013

