



© Aline Périer

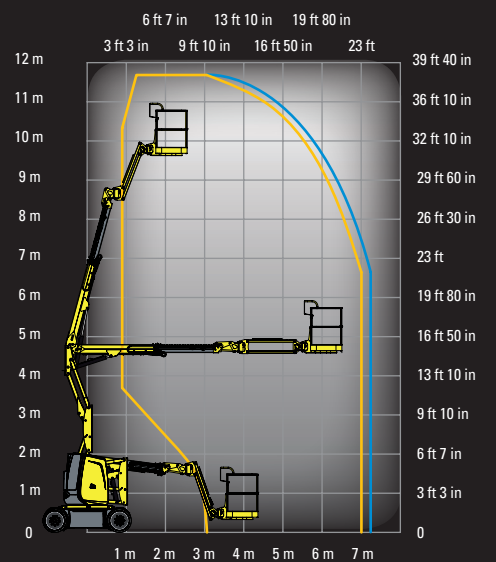
Excellent manoeuvrability in the tightest spaces

- Able to drive and orientate the turret at the same time
- Tight turning radius
- Zero tailswing
- Compact stowed height passes through standard doorways
- 1.20m width

Optimal productivity

- Proportional and simultaneous movements
- Suitable for inside and outside use
- High Operating Autonomy

| | |
|---------------|----------------|
| HA12CJ | HA12CJ+ |
| 250 kg / 2x | 230 kg / 2x |
| 551 lbs | 507 lbs |



Haulotte
GROUP

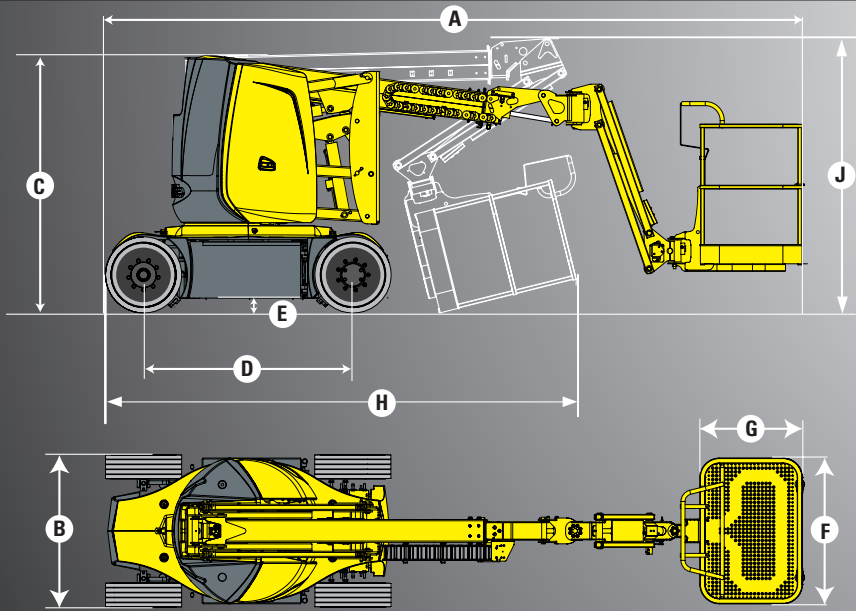
More than lifting



www.haulotte.com.au

HA12CJ / HA12CJ+

ELECTRIC ARTICULATING BOOMS



TECHNICAL DATA

HA12CJ HA12CJ+

| | | |
|--------------------------|----------------------|---------------------|
| Working height | 11.7 m | 11.7 m |
| Platform height | 9.7 m | 9.7 m |
| Horizontal outreach | 7 m | 7.22 m |
| Up and over clearance | 4.74 m | 4.74 m |
| Lift capacity | 250 kg | 230 kg |
| F x G - Platform size | 1.15 x 0.8 m | 1.15 x 0.8 m |
| A - Length | 5.36 m | 5.64 m |
| B - Width | 1.2 m | 1.2 m |
| C - Height - stowed | 1.99 m | 1.99 m |
| H - Length - storage | 3.86 m | 4.2 m |
| J - Height - storage | 2.22 m | 2.6 m |
| Tailswing | 0 cm | 0 cm |
| Horizontal jib rotation | N/A | 180° (-90/+90) |
| Vertical jib rotation | 140° (+70/-70) | 140° (-70/+70) |
| Platform rotation | 180° (+90/-90) | 180° (-90/+90) |
| Turntable rotation | 355 ° | 355 ° |
| D - Wheelbase | 1.65 m | 1.65 m |
| E - Ground clearance | 10.7 cm | 10.7 cm |
| Tilt | 3° | 3° |
| Proportional drive speed | 0.7 - 6 km/h | 0.7 - 6 km/h |
| Gradeability | 25 % | 25 % |
| Turning radius - outside | 3.6 m | 3.6 m |
| Tyres - non marking | 600x190 | 600x190 |
| Energy | 48 V - 320 Amph (C5) | 48V - 320 Amph (C5) |
| Weight | 6970 kg | 7040 kg |

STANDARD EQUIPMENT

- Ergonomic control panels
- Battery charge indicators on both control panels
- Automatic platform levelling
- Solid non-marking tyres
- 2 wheel drive
- 2 wheel steer
- Deep cycle batteries
- On board charger battery 48V - 50A
- Safe to use in winds up to 45km/h / 28mph
- Towing hooks and lifting eyes
- Tilt controller
- Load Management System in the platform
- Horn
- Hourmeter
- Mechanical turret slewing hook
- Emergency hand pump

OPTIONS AND ACCESSORIES

- Full traction batteries
- Auxiliary power in the platform for emergency descent
- Air line to platform
- Fluorescent tube caddy
- Orange safety cones holder
- Self-closing swing door
- Flashing light
- Working light
- Electric socket in the platform
- Circuit-breaker



Haulotte 
GROUP

Haulotte 46 Greens Road, Dandenong Vic 3175 Australia. Tel: +61 (0)3 9792 1000 Fax: +61 (0)3 9792 1011 – sales@haulotte.com.au – www.haulotte.com.au