

## OPTIMUM 8.1

### Optimum size

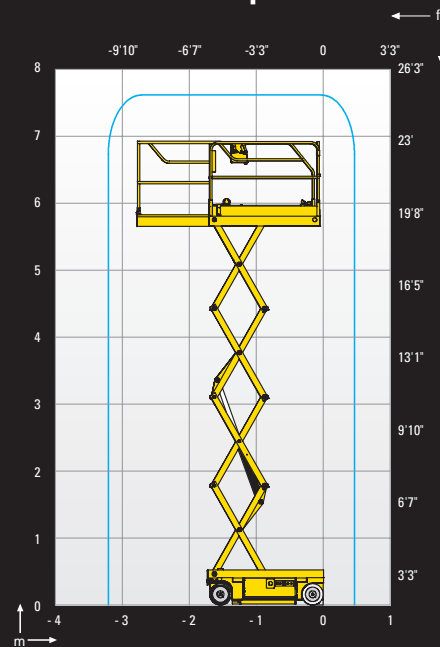
- ➔ Width of 76 cm to operate in the most congested areas
- ➔ Compact stowed height for easy access through standard doorways

### Optimum productivity

- ➔ Driveable at full height
- ➔ Load capacity 230 kg
- ➔ Extended platform
- ➔ Robust, reliable, easy to maintain

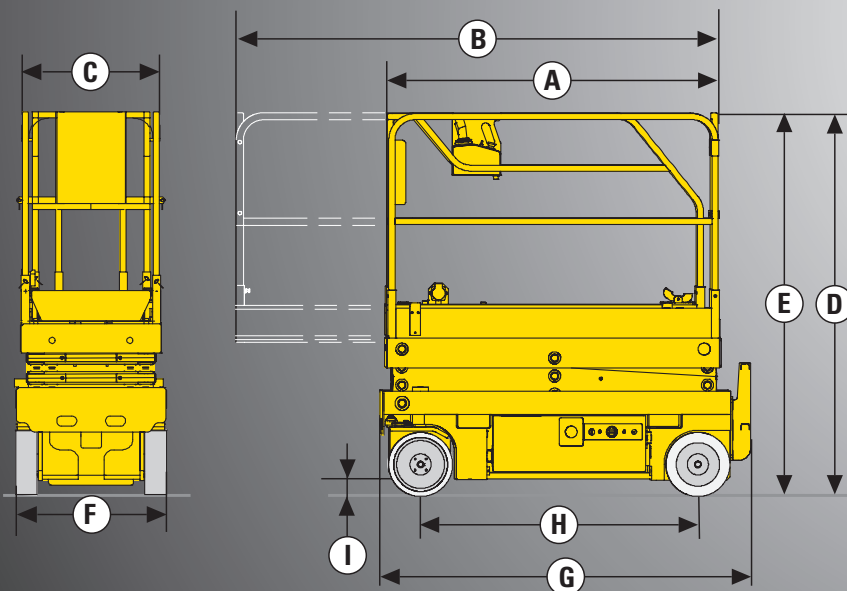


Optimum 8.1



# OPTIMUM 8.1

## ELECTRIC SCISSOR LIFTS



### TECHNICAL DATA

### Optimum 8.1

Working height	7.76 m
Platform height	5.76 m
Driveable at full height up to	5.76 m
Lift capacity - inside	230 kg
Lift capacity - outside	120 kg
A - Platform length - outside	1.73 m
B - Platform length - extended	2.65 m
Length - extension	0.92 m
C - Platform width - outside	0.68 m
D - Storage height	2 m
E - Height - stowed	2 m
F - Overall width	0.76 m
G - Length	1.88 m
H - Wheelbase	1.38 m
I - Ground clearance - Centre	8 cm
Ground clearance - Pothole guards deployed	2.2 cm
Drive speed	0.6 - 4.5 km/h
Gradeability	25 %
Tilt	2 °
Lift / lower speed	32 / 23 s
Turning radius - outside	1.7 m
Tyres - non marking	12.5x4.25
Batteries	24 V - 185 Amph (C5)
Hydraulic system capacity	20 l
Weight	1572 kg

### STANDARD EQUIPMENT

- Pothole guards
- Battery charge indicator
- Proportional lift and drive
- Inside / outside use
- Swing out component tray
- Battery charger
- Solid non-marking tyres
- Free wheeling device
- Electronic tilt sensor
- Load Management System in the platform
- Manual platform lowering valve
- Integrated forklift pockets
- Towing hooks
- Horn
- Hourmeter
- Flashing light
- Travel alarm

### OPTIONS AND ACCESSORIES

- Working light
- Power to platform
- Biodegradable hydraulic oil
- Folding guardrails
- Factory paint in customer colours



**Haulotte**   
GROUP