

## TRAILER-MOUNTED BOOMS



# HTA13 P - HTT13 P HTA16 P - HTA19 P

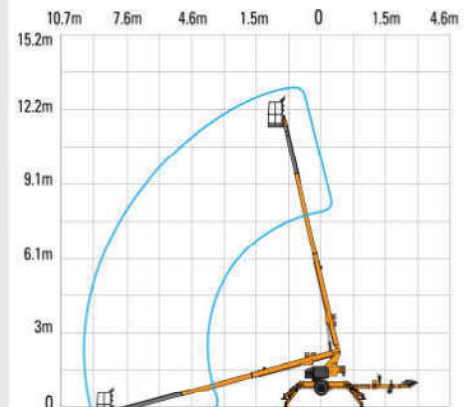
### Access on the move

- Hydraulic outriggers and automatic leveling allow operation in under 30 seconds
- Superior combination of industry leading capacity and outreach
- Working heights from 12.7m to 18.7m

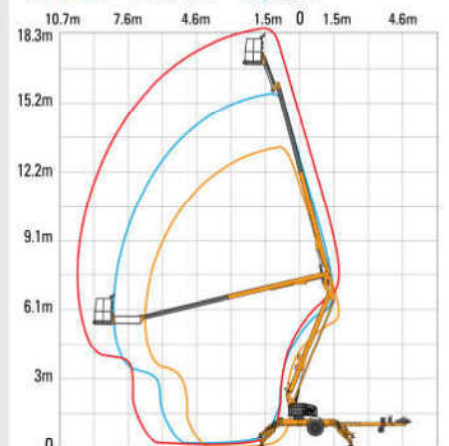
### Exceptional productivity

- Air / water lines to the platform
- On-board generator with 240V power to the platform

#### HTT13 P



#### HTA13 P - HTA16 P - HTA19 P



**Haulotte**   
GROUP

More than lifting

[www.haulotte.com.au](http://www.haulotte.com.au)



# HTA13 P - HTT13 P - HTA16 P - HTA19 P

TRAILER-MOUNTED BOOMS



## TECHNICAL DATA

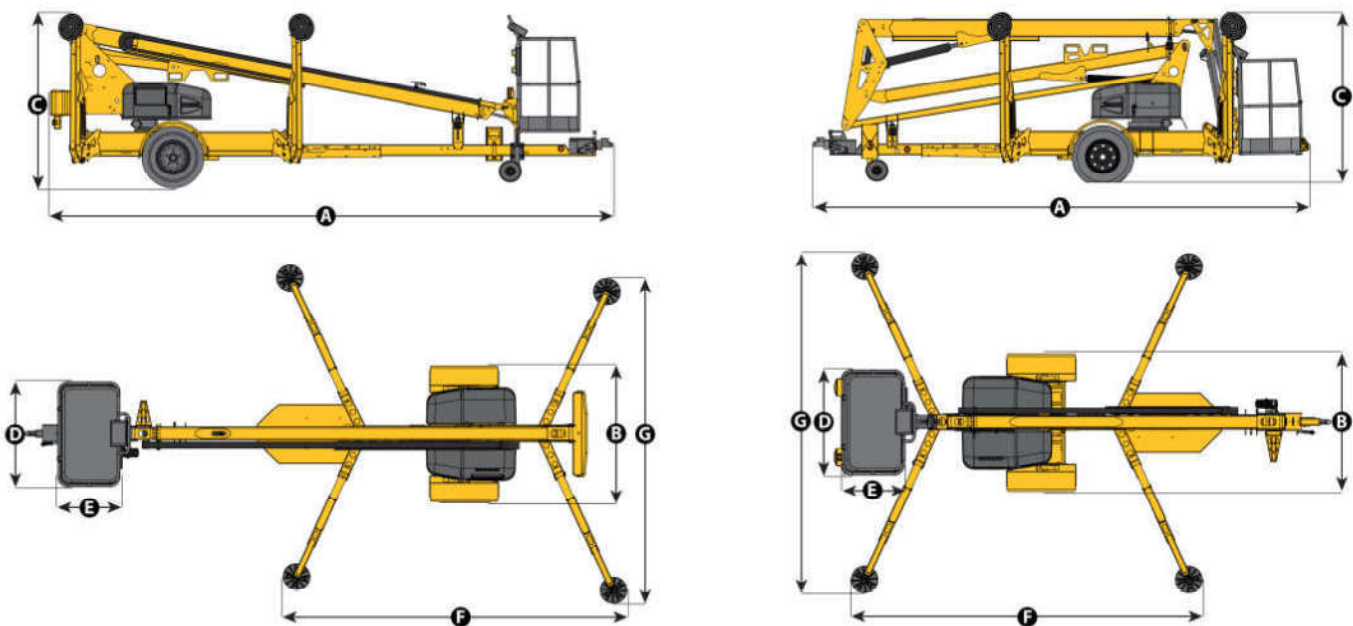
	HTA13P	HTT13P	HTA16P	HTA19P
Working height	12.73 m	13.26 m	15.54 m	18.67 m
Platform height	10.9 m	11.43 m	13.72 m	16.84 m
Horizontal outreach (from centerline)	6.86 m	9.75 m	8.23 m	10.19 m
Horizontal outreach (from edge of footpad)	5.31 m	8.23 m	6.40 m	8.33 m
Up and over height	5.79 m	N/A	6.33 m	7.04 m
Lift capacity	227 kg			
A - Length - stowed	4.96 m	6.68 m	5.94 m	6.99 m
B - Width stowed		1.67 m		1.70 m
C - Height stowed		1.96 m		1.98 m
D x E - Platform size	1.22 x 0.76 m			
F - Widest Point	3.60 m	4.19 m	4.19 m	4.47 m
G - Widest Point	3.40 m	4.11 m	4.11 m	4.57 m
Turntable rotation	350° non-continuous			
Jib - length	1.3 m	N/A	1.3 m	
Jib - Vertical Motion	150° (+70 / -80)	N/A	150° (+70 / -80)	
Tow speed rating	105 km/h			
Leveling capability	12.5 °			
Tyre size	ST 225/75 D15		ST 225/75 R15	
Power source	4 x 6 V 245 amp-hr			
Tongue weight (no options)	111 kg	91 kg	132 kg	152 kg
Weight	1,659 kg	2,014 kg	2,059 kg	2,331 kg

## STANDARD EQUIPMENT

- Hydraulic outriggers
  - Automatic Levelling system
  - Self-levelling platform
  - Air and water line to platform
  - On-board petrol generator
  - 240V power to the platform
  - Hydraulic surge brakes
  - Spare Tyre
  - Integrated forklift pockets
  - Inboard 25 amp charger
  - Hour meter and battery condition indicator
- \* Drive & Set (HTA16P & HTA19P only)

## OPTIONS & ACCESSORIES

- Platform rotator (manual)
- Tool Tray
- Electric Brakes
- Fluorescent tube caddy



Not contractual document - We reserve the right to modify the technical characteristics of this document without notice - 08/2018